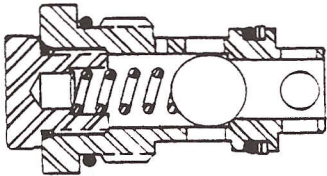




CHECK VALVES

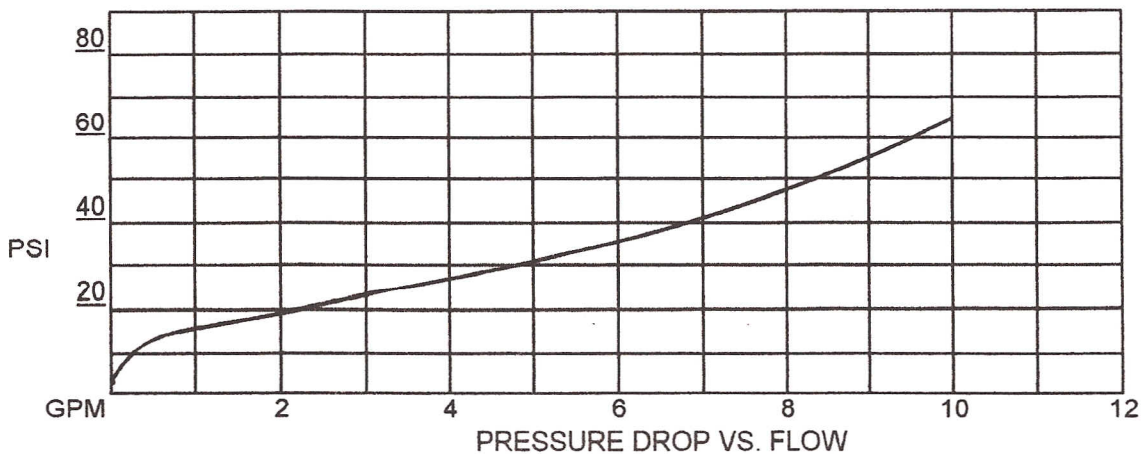
CARTRIDGE TYPE



SPECIFICATIONS:

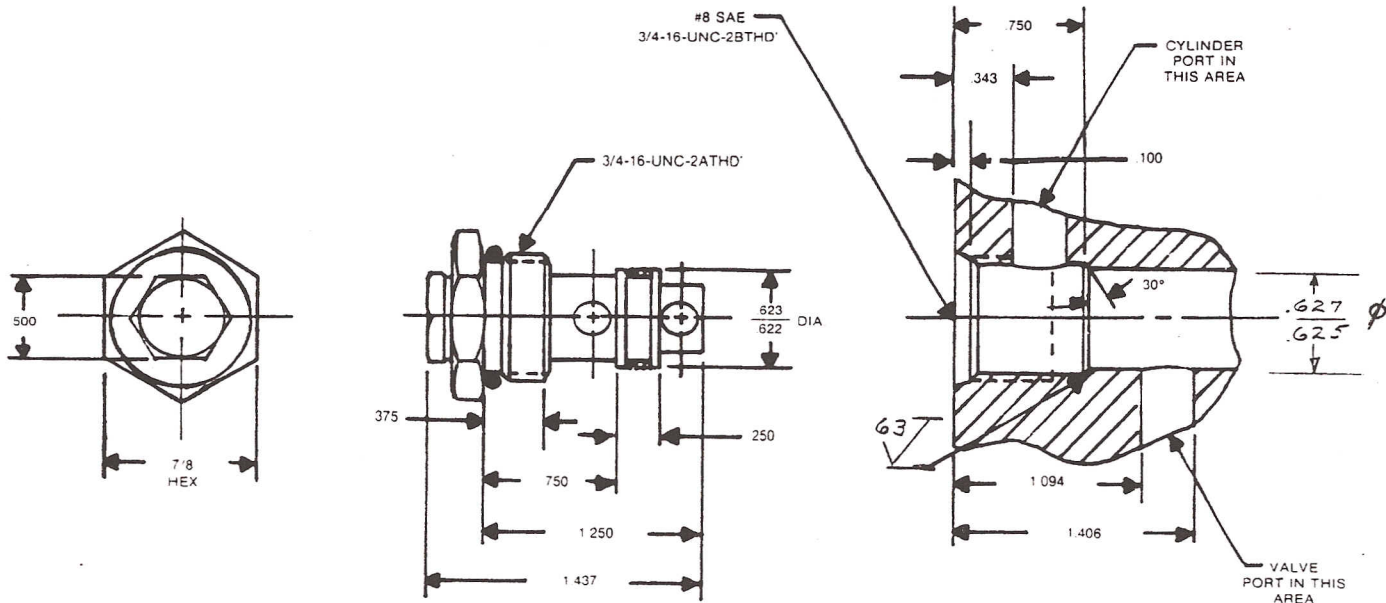
FLOW: SEE PERFORMANCE DATA
MAX. PRESSURE: 3000 PSI
SEALS: BUNA "N" STANDARD
MOUNTING: UNRESTRICTED
WEIGHT: 4 OZ. (APPROX.)

PERFORMANCE DATA (TYPICAL)

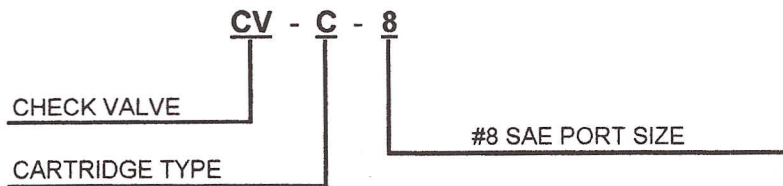


CV-30
4/95

DIMENSIONAL DATA



ORDERING INFORMATION



BRANNON HYDRAULICS, INC.	P.O. BOX 602	RACINE, WI.	53401-0602
PHONE (262) 637-8502		FAX (262) 637-8582	