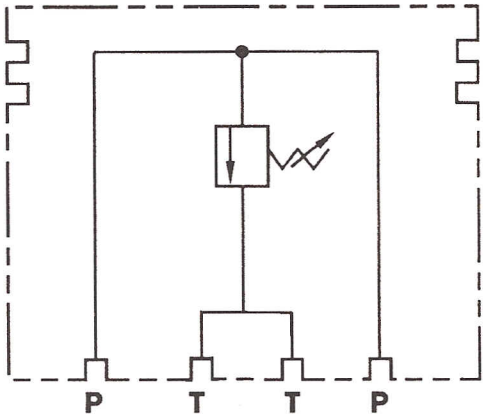
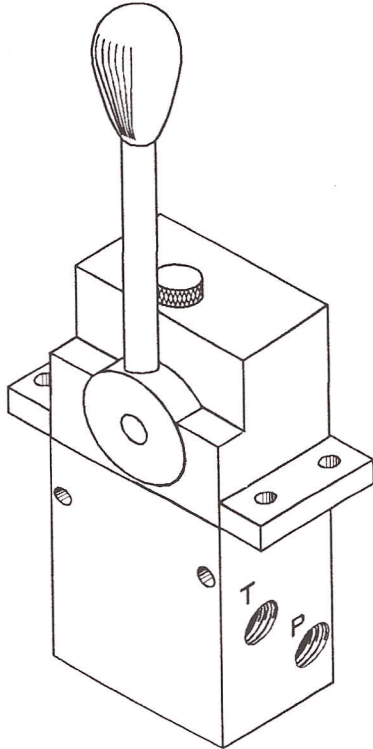




**REMOTE
CONTROL
RELIEF VALVE**



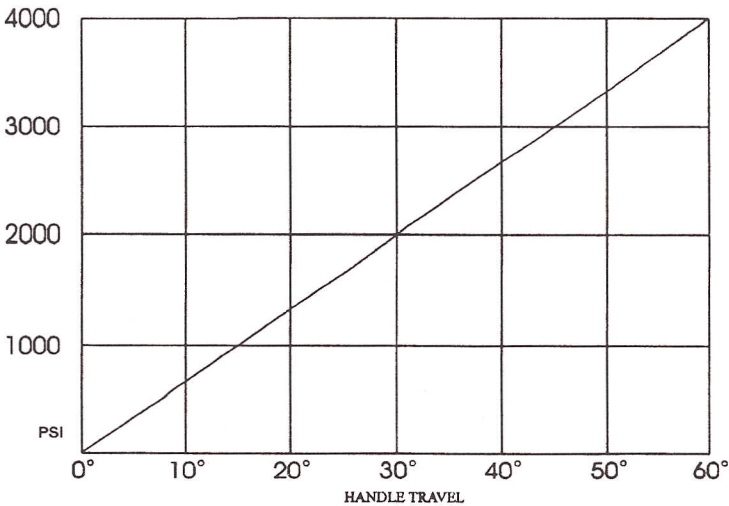
SPECIFICATIONS:

INPUT PRESSURE	150-4000 PSI
FLOW (NOMINAL)	2 GPM
PORTS	#6 SAE STANDARD
MOUNTING	FOOT OR PANEL
MATERIAL	STAINLESS STEEL & ALUMINUM
WEIGHT	3.5 lbs. (APPROX.)

FEATURES:

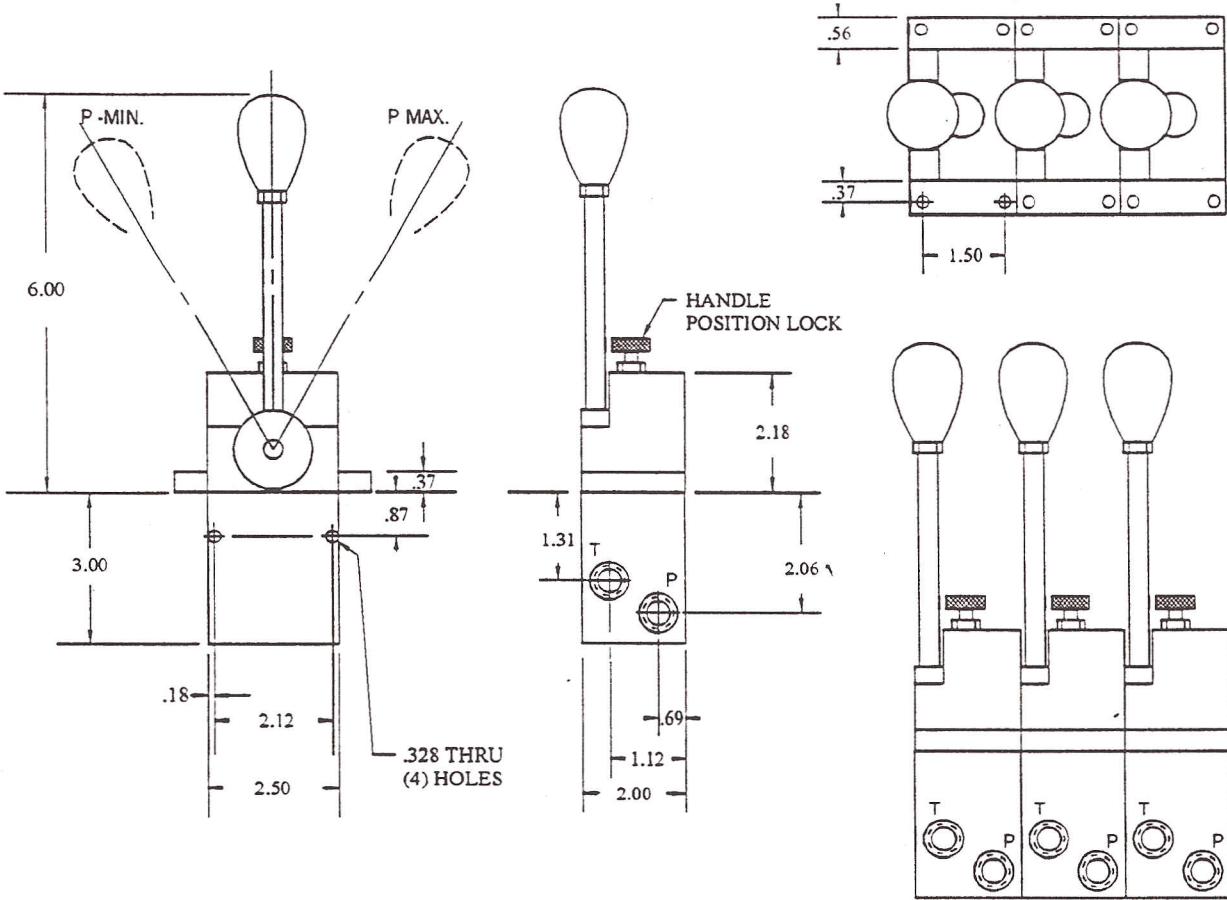
- ADJUSTABLE OUTPUT PRESSURE
- ALL OPERATIONAL PARTS ARE OIL IMMERSED
- CAN BE STACKED
- HANDLE CONTROLS
INFINITE POSITION FRICTION HOLD

PERFORMANCE DATA (TYPICAL)

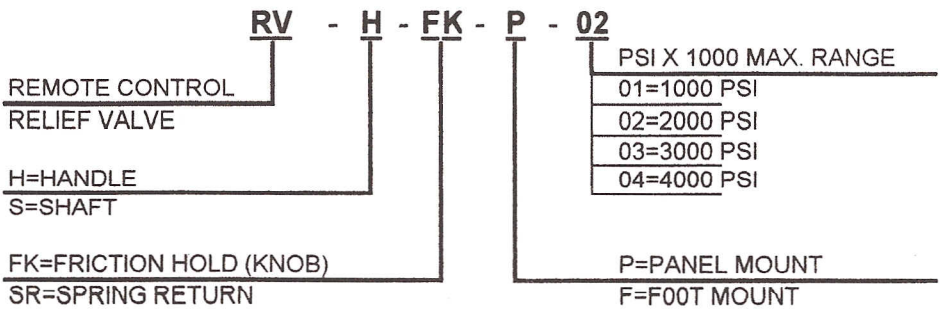


RV 2.0
4/95

DIMENSIONAL DATA



ORDERING INFORMATION



BRANNON HYDRAULICS, INC.
PHONE (262) 637-8502

P.O. BOX 602

RACINE, WI. 53401-0602
FAX (262) 637-8582