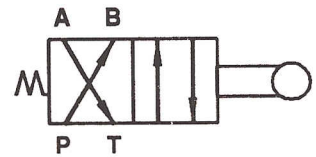
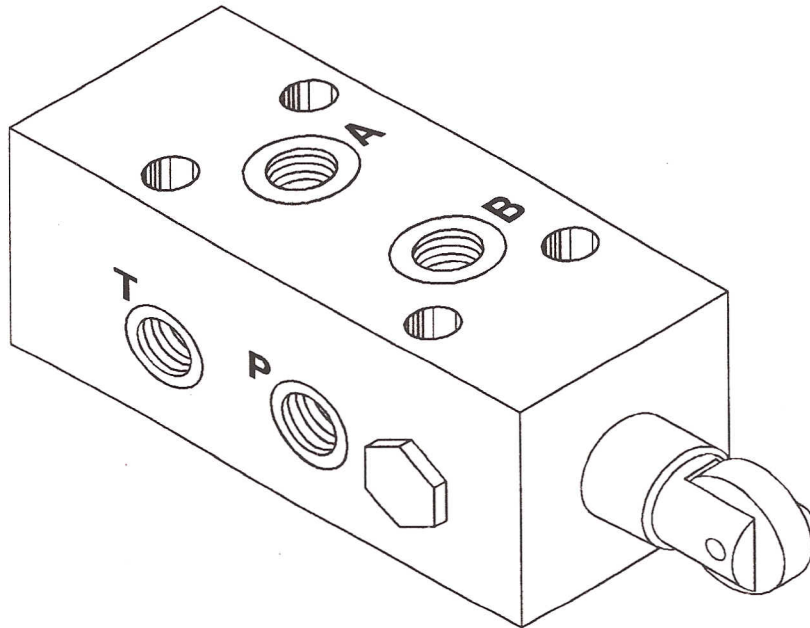




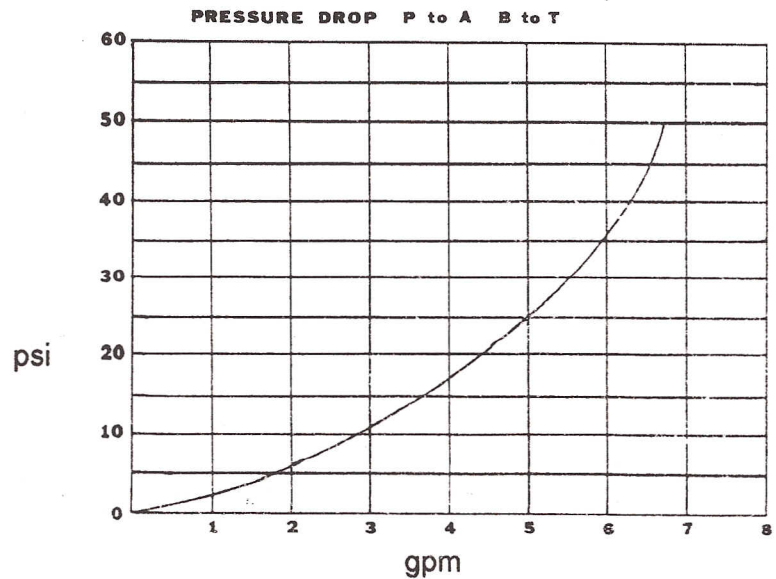
**DIRECTIONAL CONTROL**  
**4-WAY VALVE**  
**CAM OPERATED**



**SPECIFICATIONS:**

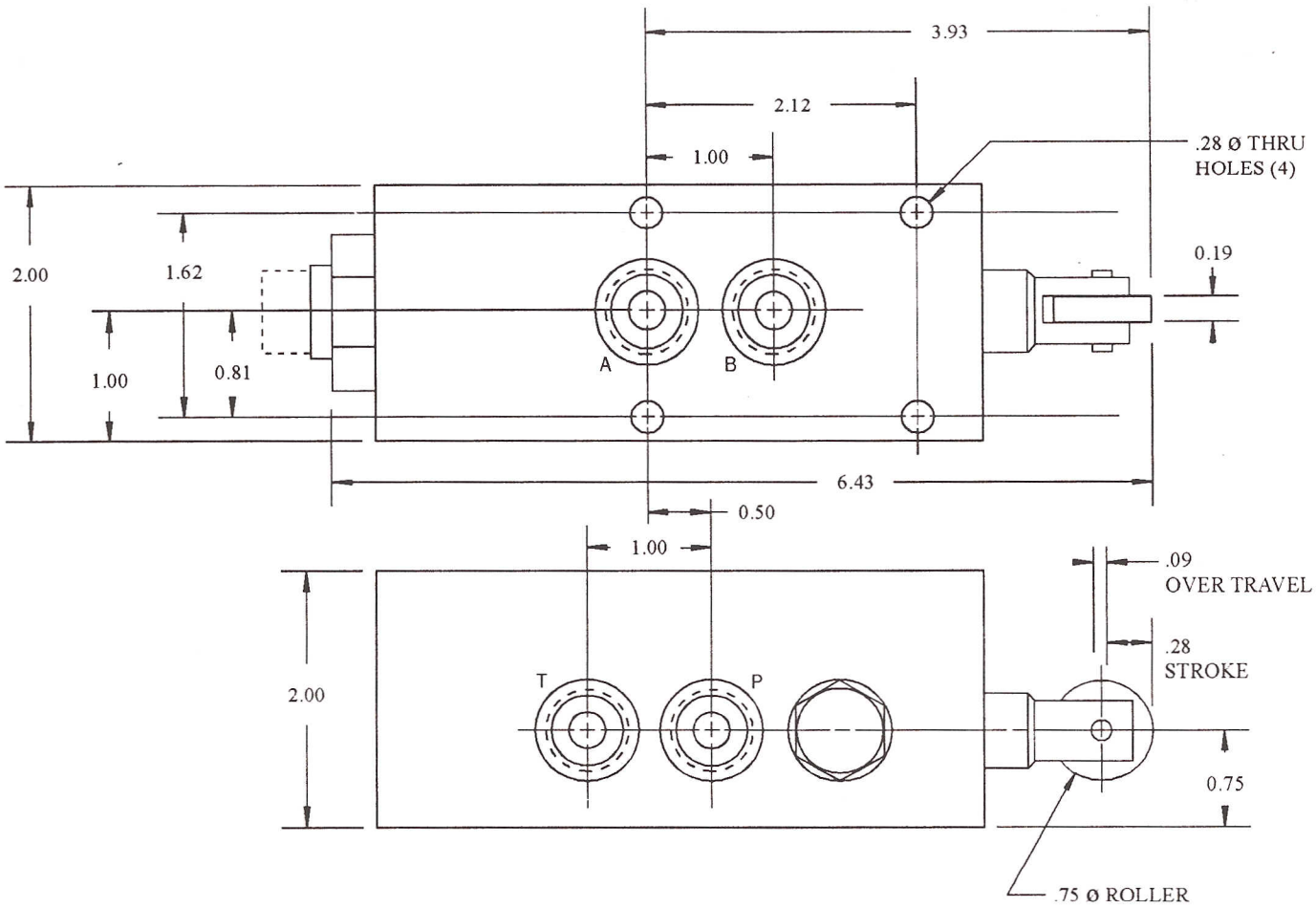
**MAXIMUM PRESSURE** 3000 PSI  
**FLOW** SEE PERFORMANCE DATA  
**PORTS** #6 SAE STANDARD  
**MOUNTING** UNRESTRICTED  
**BODY MATERIAL** ALUMINUM  
**WEIGHT** 1.75 lbs. (APPROX.)  
**SPRING FORCE** APPROX. 40 LBS.  
**MAX. "T" PORT BACK PRESSURE** 500 PSI

**PERFORMANCE DATA (TYPICAL)**



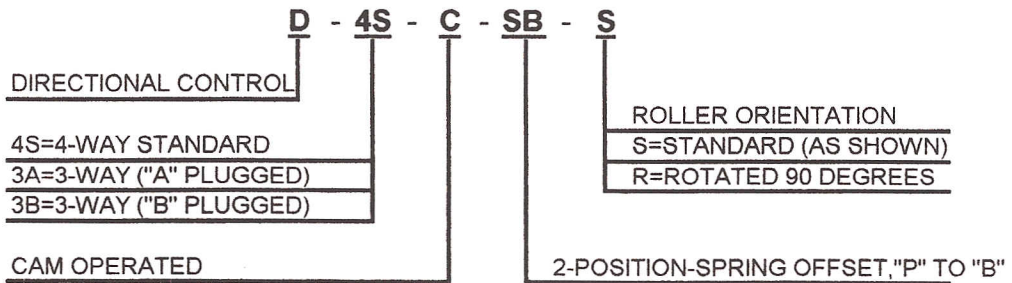
D-50  
4/95

# DIMENSIONAL DATA



OPTION: ROLLER MAY BE ORIENTED 90° FROM POSITION SHOWN

## ORDERING INFORMATION



<b>BRANNON HYDRAULICS, INC.</b>	<b>P.O. BOX 602</b>	<b>RACINE, WI. 53401-0602</b>
PHONE (262) 637-8502		FAX (262) 637-8582