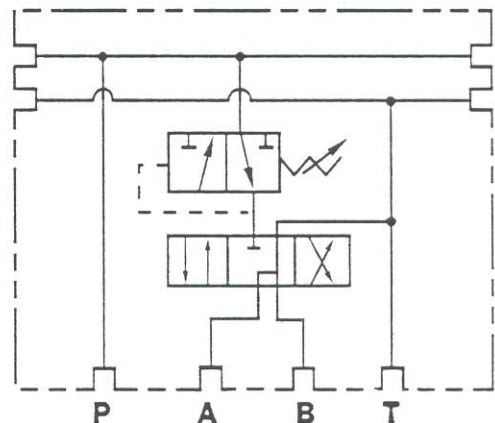
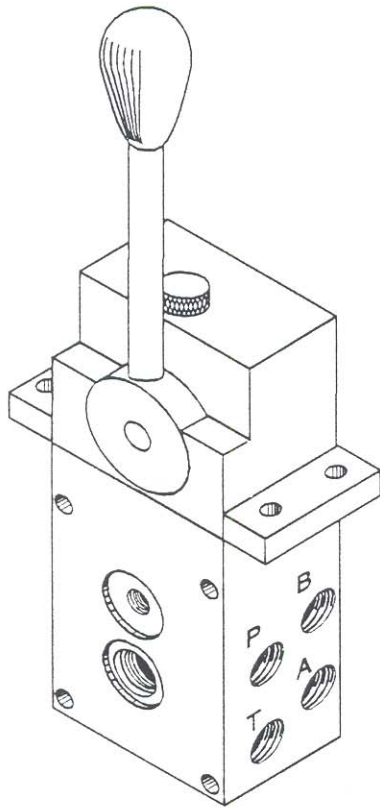




**REMOTE CONTROL
PRESSURE
REGULATOR**



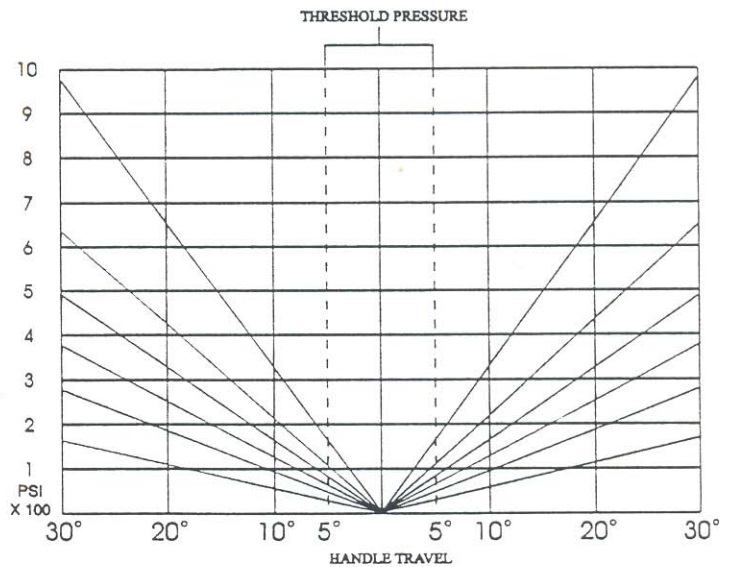
SPECIFICATIONS:

THRESHOLD PRESSURE 0-100 PSI (SEE CHART)
OUTPUT PRESSURE 0-1000 PSI (SEE CHART)
INPUT PRESSURE 150-1000 PSI
PORTS #6 SAE STANDARD
MOUNTING FOOT OR PANEL
MATERIAL STAINLESS STEEL & ALUMINUM
WEIGHT 3.5 lbs. (APPROX.)

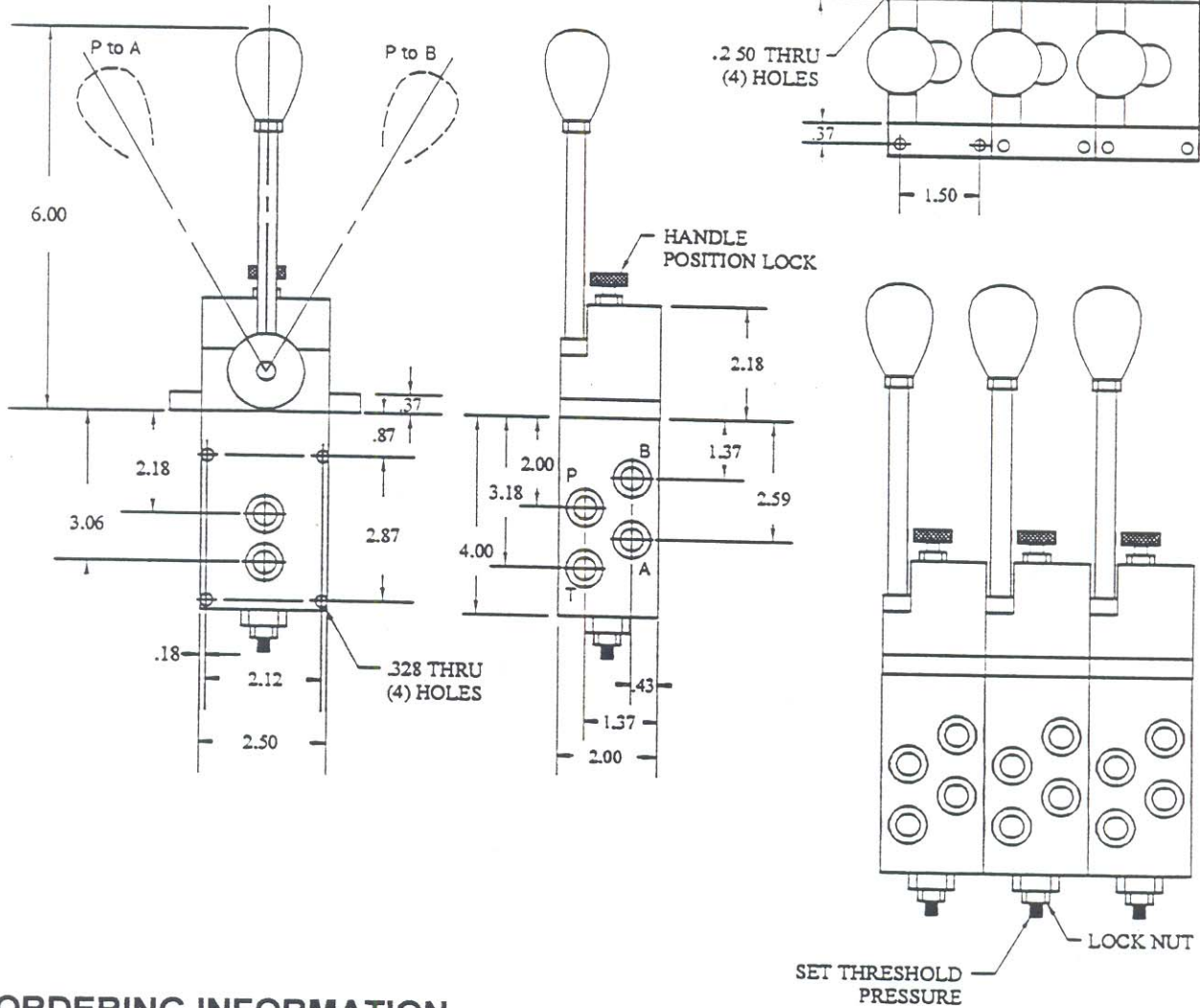
FEATURES:

- ADJUSTABLE THRESHOLD PRESSURE
- ADJUSTABLE OUTPUT PRESSURE
- SINGLE REGULATOR WITH DIRECTIONAL CONTROL
- ALL OPERATIONAL PARTS ARE OIL IMMERSIED
- CAN BE STACKED
- HANDLE CONTROLS
 - INFINITE POSITION FRICTION HOLD
 - SPRING CENTERED
 - DETENTED NEUTRAL

PERFORMANCE DATA (TYPICAL)



DIMENSIONAL DATA



ORDERING INFORMATION

