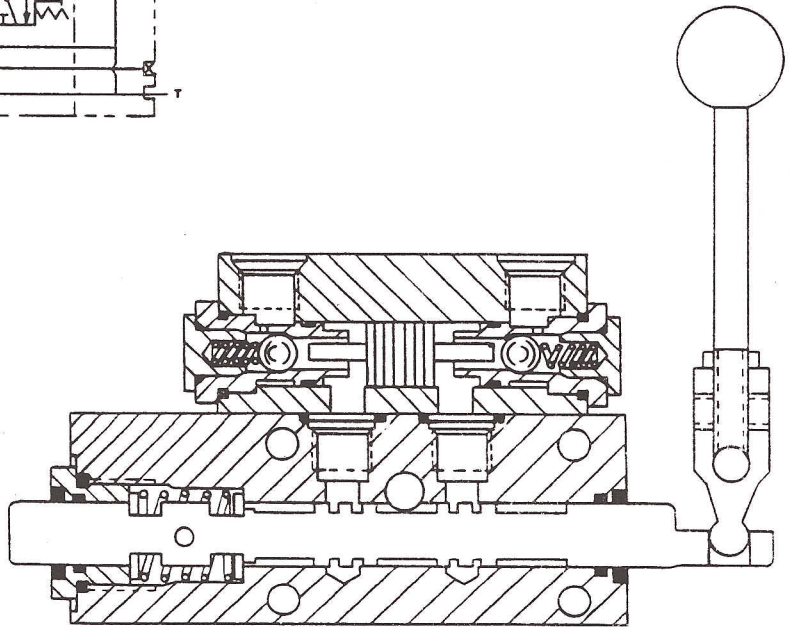
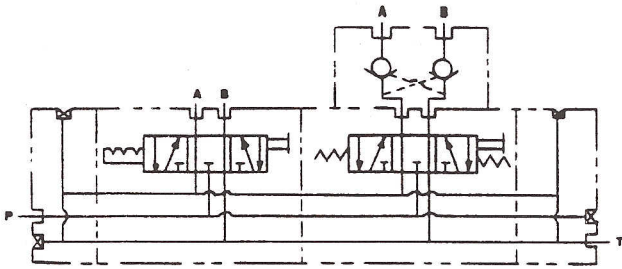




**DIRECTIONAL CONTROL**

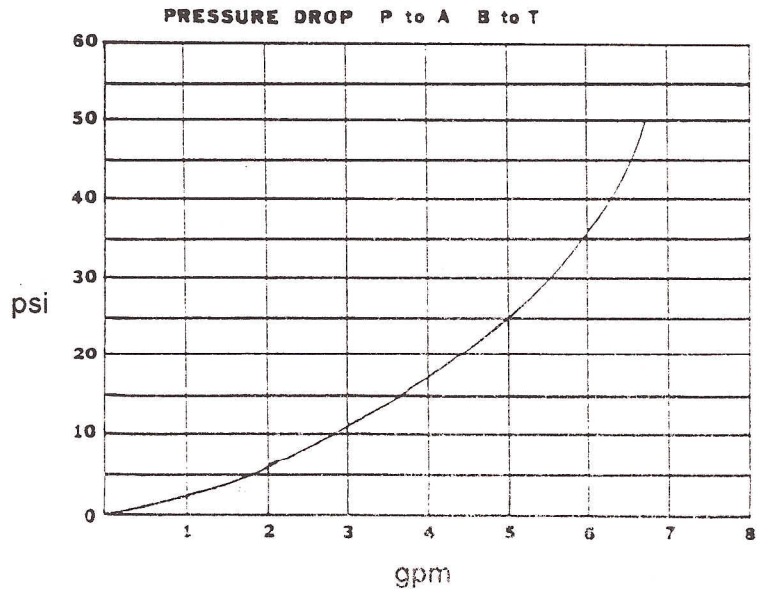
4-WAY VALVE  
LEVER OPERATED  
1/4" PARALLEL



**SPECIFICATIONS:**

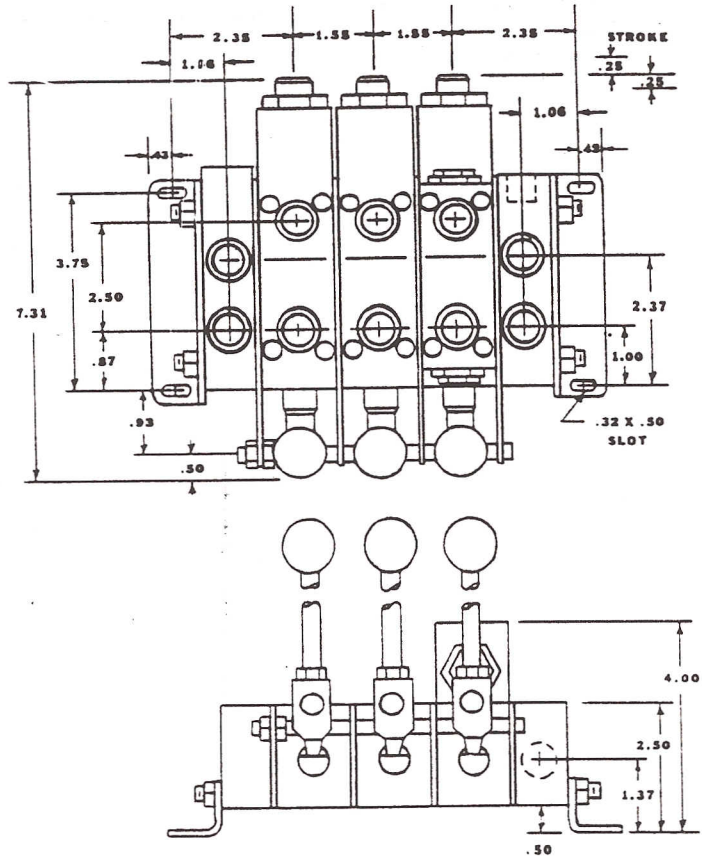
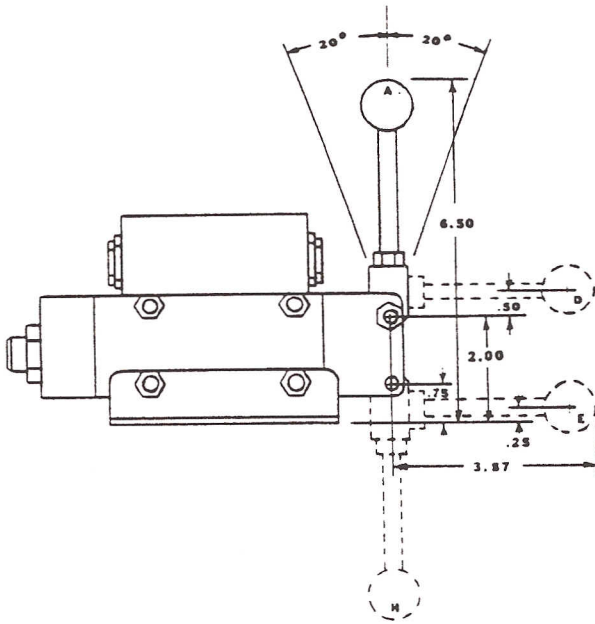
MAXIMUM PRESSURE 3000 PSI  
 FLOW SEE PERFORMANCE DATA  
 PORTS #6 SAE STANDARD  
 MOUNTING UNRESTRICTED  
 BODY MATERIAL ALUMINUM  
 WEIGHT 1.75 lbs. (APPROX.)

**PERFORMANCE DATA (TYPICAL)**

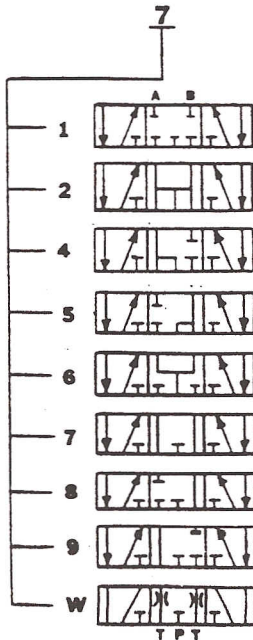
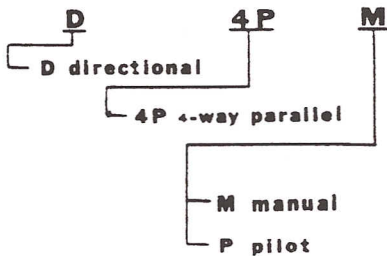


D-30  
4/95

# DIMENSIONAL DATA



# ORDERING INFORMATION



			S3		A
			lever position		
			normal -	shifted -	
			not used -		
			pos	spring	positions
S3	3	center	D to B	center	D to A
SCA	2	center	center	center	D to A
SCB	2	center	D to B	center	
SBC	2	offset	D to B	center	
SAC	2	offset	center	center	D to A
SAB	2	offset	D to B		D to A
SBA	2	offset	D to B		D to A
D3	3	detent	D to B	center	D to A
DCA	2	detent		center	D to A
DCB	2	detent	D to B	center	
DAB	2	detent	D to B		D to A