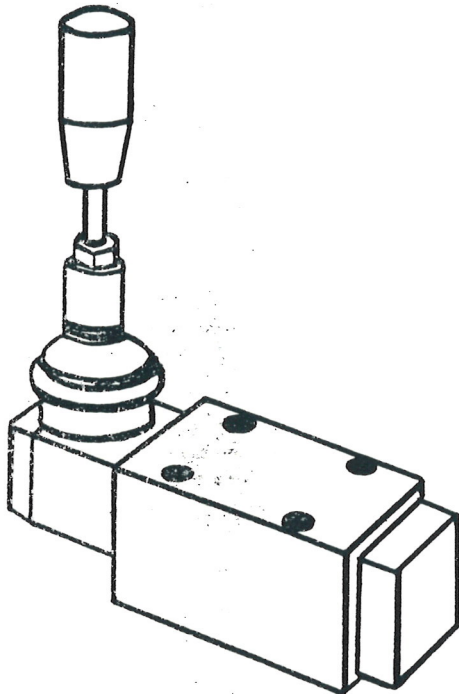




NFPA-D03
SUBPLATE MOUNTED
DIRECTIONAL
CONTROL

4-WAY VALVE
 LEVER OPERATED
 FINE METERING



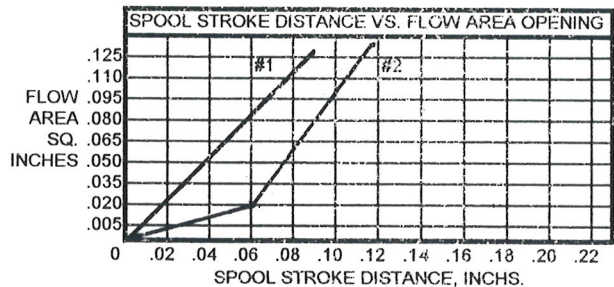
MOST D03 subplate mounted lever operated valves are converted solenoid operated valves and therefore have a very short spool stroke. This short spool stroke results in very poor metering and control (see the typical performance data below).

BRANNON MODEL D03-M 4-way valves have a long spool stroke that provides a gradual flow path opening at the beginning of the spool stroke, for fine metering & control. At maximum spool stroke the flow path opens to full flow position for maximum flow with minimum pressure drop.

SPECIFICATIONS:

MAXIMUM PRESSURE: 4000 PSI
FLOW: SEE PERFORMANCE DATA
MOUNTING: UNRESTRICTED
BODY MATERIAL: STEEL
WEIGHT: 3.0 lbs. (APPROX.)

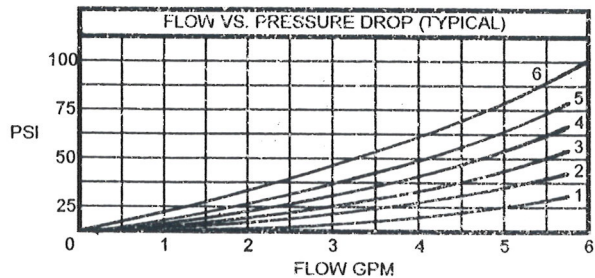
PERFORMANCE DATA (TYPICAL)



#1-TYPICAL CONVERTED SOLENOID VALVE (STROKE=.094 IN.)
 #2-BRANNON D03-M VALVE (STROKE=.220 IN.)

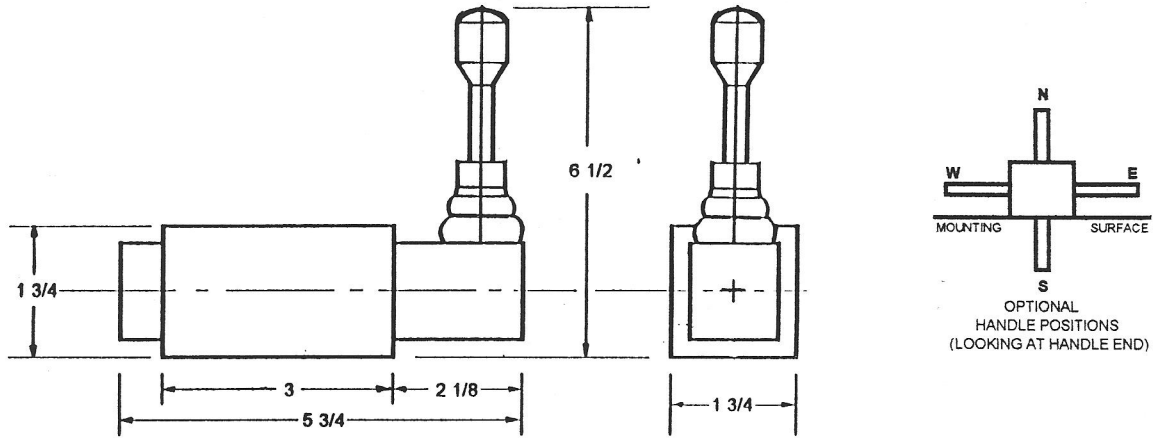
D03- FLOW VS. PRESSURE DROP CURVE SELECTION CHART				
SPOOL TYPE	FLOW CURVE NUMBER			
	SPOOL SHIFTED		SPOOL CENTERED	
	P to A or B	A or B to T	P to T	A or B to T
1C	2	1	-	-
2C	5	1	4	4
3C	6	5	4	-
7C	3	1	-	4

CONSULT FACTORY FOR SPOOL TYPES NOT LISTED.



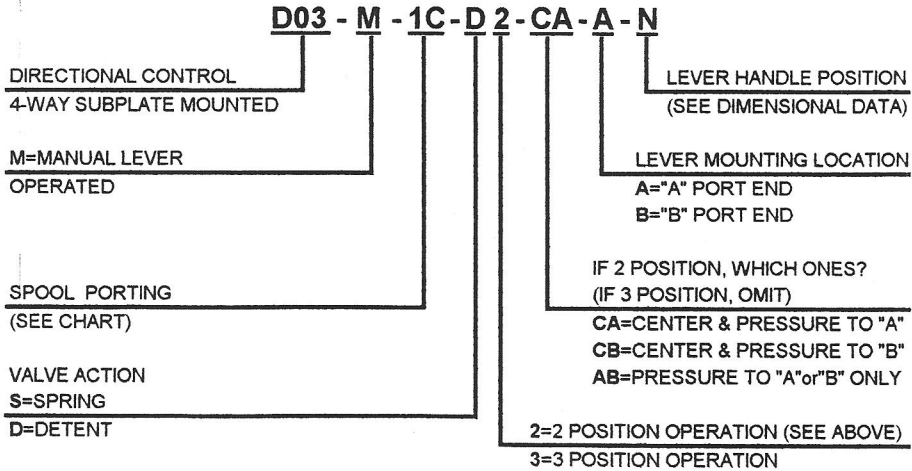
D-03
 5/96

DIMENSIONAL DATA

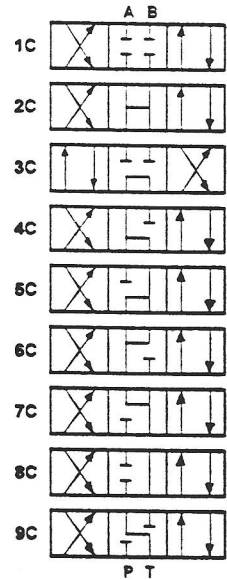


VALVE MOUNTS TO STANDARD NFPA D03, ISO/DIS4401-SIZE 03 SUBPLATE MOUNTING PATTERN.

ORDERING INFORMATION



SPOOL PORTING



BRANNON HYDRAULICS, INC.
PHONE (262) 637-8502

P.O. BOX 602

RACINE, WI.

53401-0602

FAX (262) 637-8582