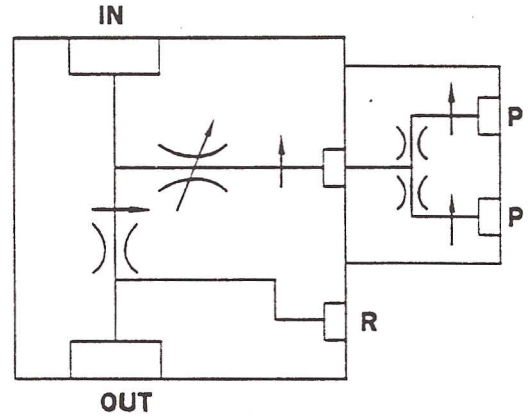
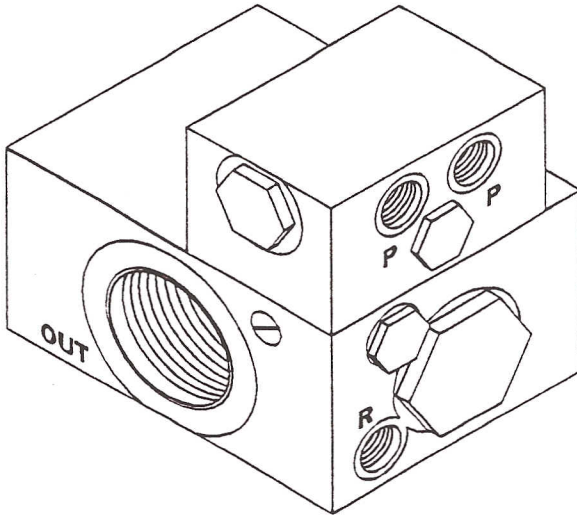




**FLOW
CONTROLS**

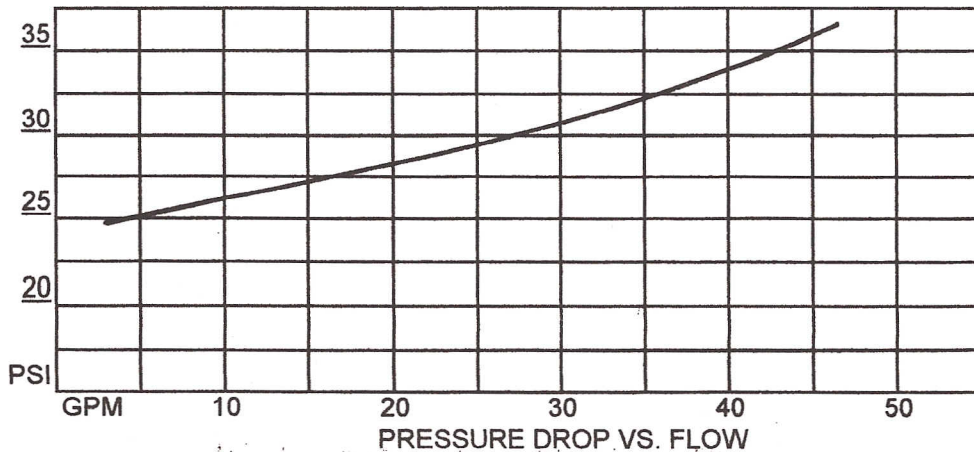
PRIORITY TYPE
WITH 50/50
FLOW DIVIDER



SPECIFICATIONS:

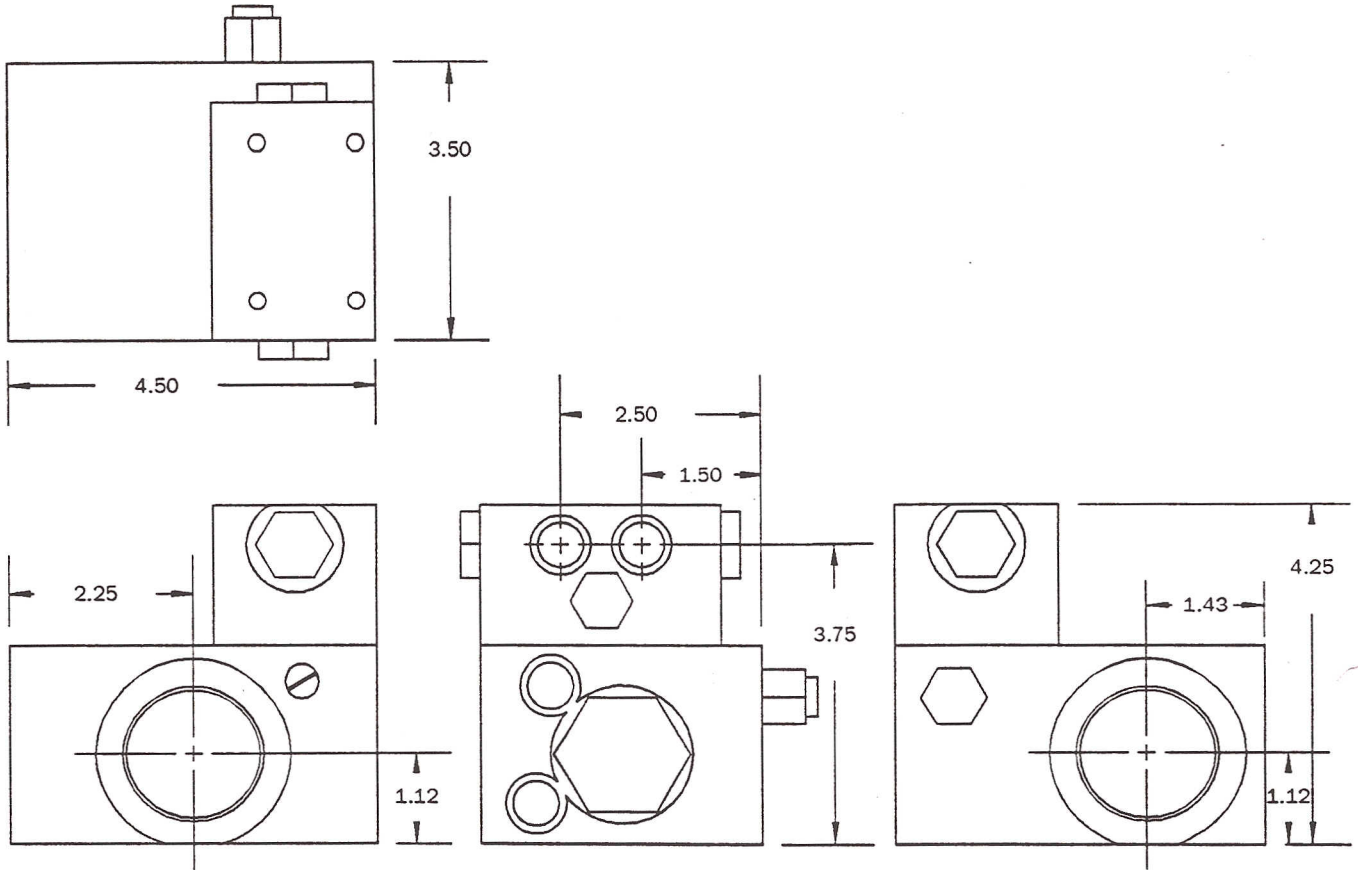
FLOW: 40 GPM MAX. INPUT
PRIORITY FLOW: 0 TO 10 GPM
MAX. PRESSURE: 3000 PSI
SEALS: BUNA "N" STANDARD
MOUNTING: UNRESTRICTED
WEIGHT: 4.75 lbs. (APPROX.)

PERFORMANCE DATA (TYPICAL)

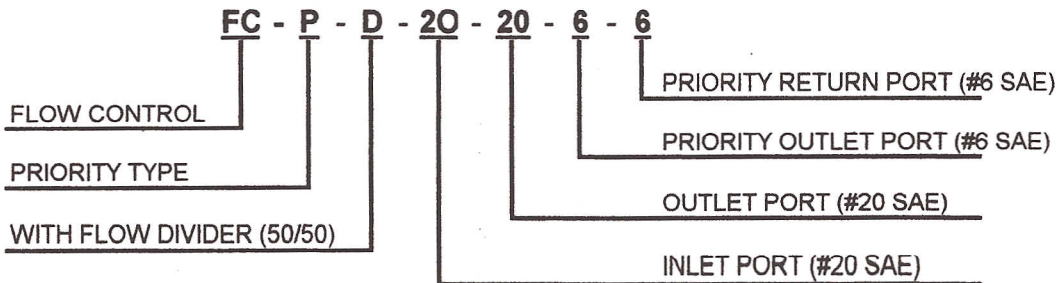


FC-40
4/95

DIMENSIONAL DATA



ORDERING INFORMATION



BRANNON HYDRAULICS, INC.
PHONE (262) 637-8502

P.O. BOX 602

RACINE, WI. 53401-0602
FAX (262) 637-8582