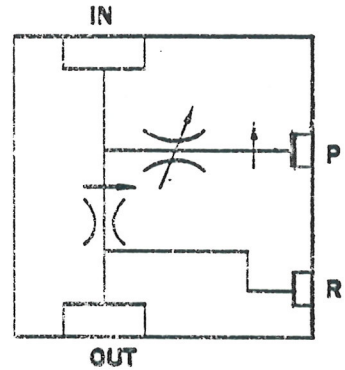
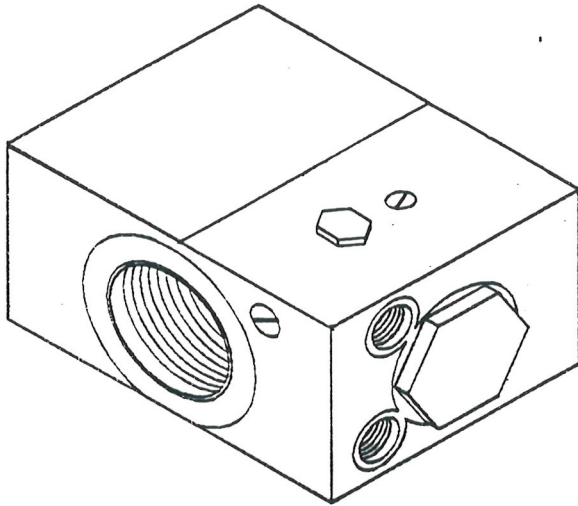




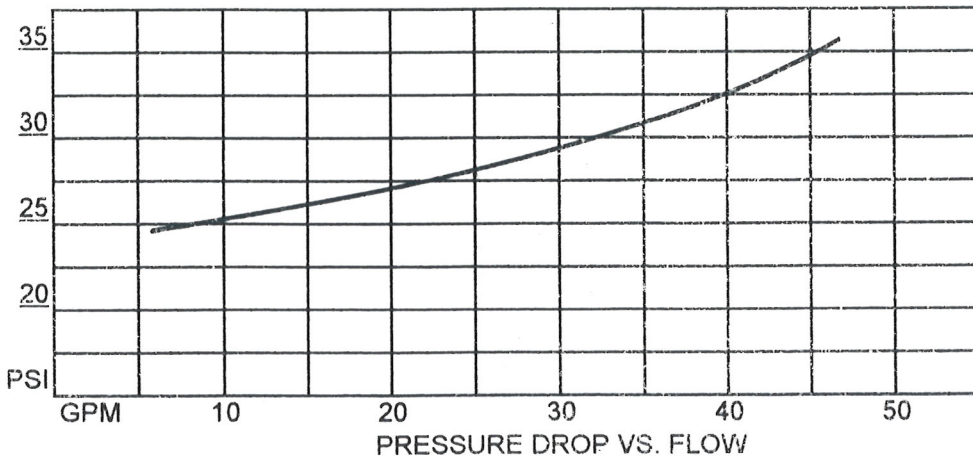
**FLOW
CONTROLS**
PRIORITY TYPE



SPECIFICATIONS:

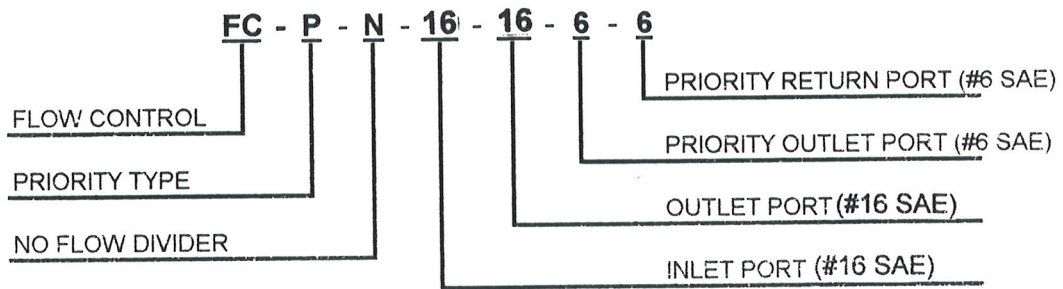
- FLOW: 40 GPM MAX. INPUT
- PRIORITY FLOW: 0 TO 10 GPM
- MAX. PRESSURE: 3000 PSI
- SEALS: BUNA "N" STANDARD
- MOUNTING: UNRESTRICTED
- WEIGHT: 3.75 lbs. (APPROX.)

PERFORMANCE DATA (TYPICAL)



FC-20
4/95

ORDERING INFORMATION



BRANNON HYDRAULICS, INC.
PHONE (262) 637-8502

P.O. BOX 602

RACINE, WI. 53401-0602
FAX (262) 637-8582