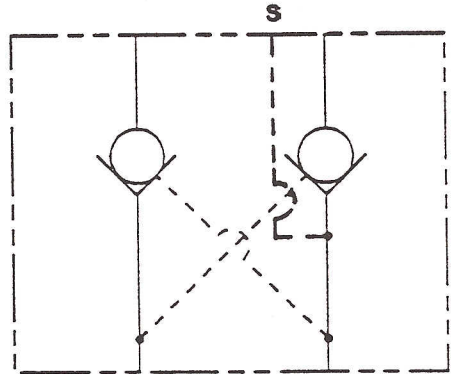
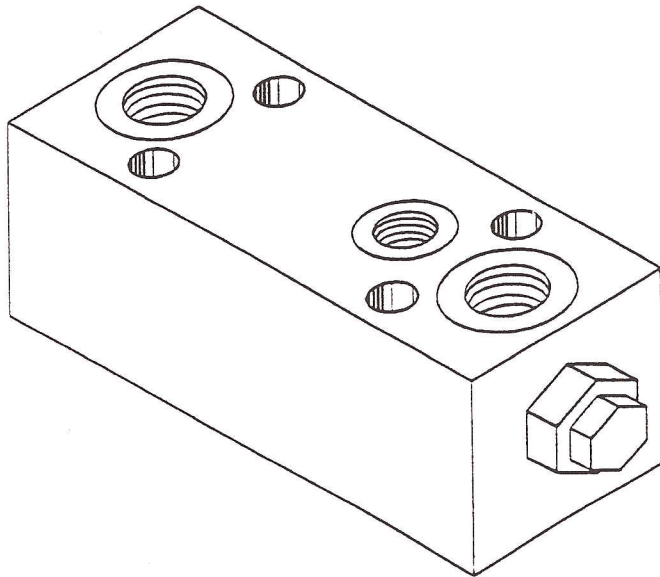




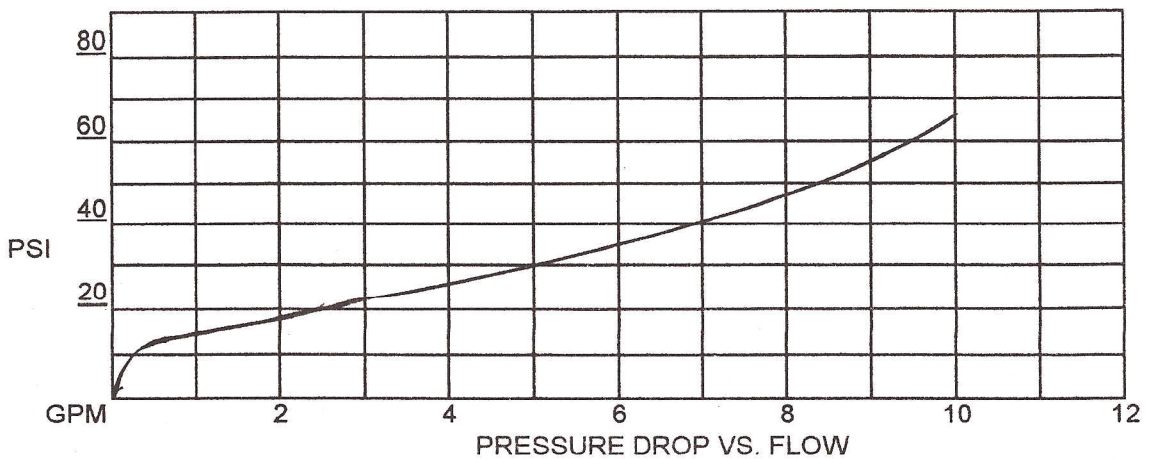
CHECK VALVES
PILOT OPERATED
MANIFOLD MOUNTED



SPECIFICATIONS:

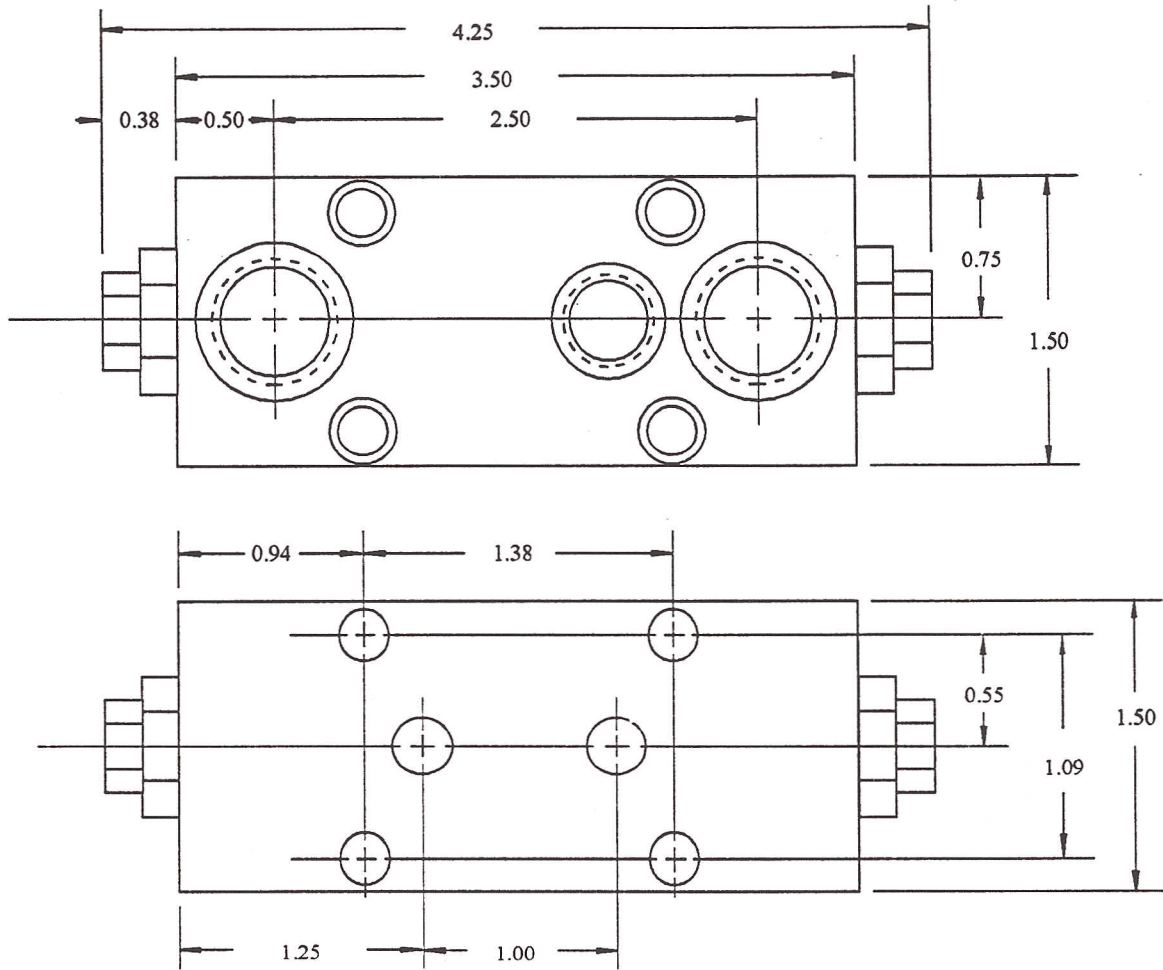
FLOW: SEE PERFORMANCE DATA
PILOT RATIO: 4:1
MAX. PRESSURE: 3000 PSI
SEALS: BUNA "N" STANDARD
MOUNTING: UNRESTRICTED
WEIGHT: 2 lbs. (APPROX.)

PERFORMANCE DATA (TYPICAL)

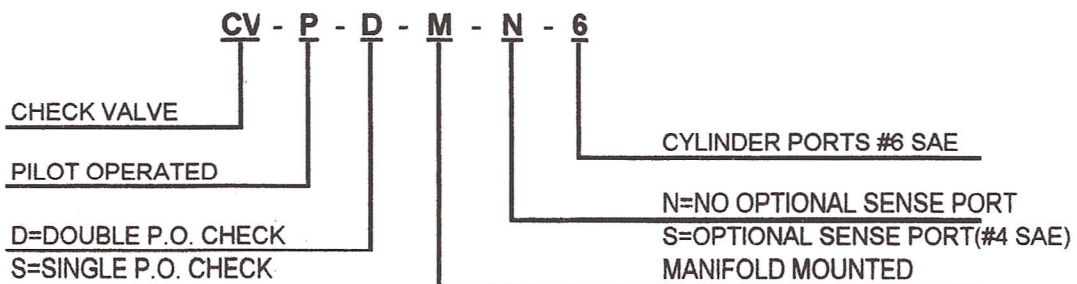


CV-22
4/95

DIMENSIONAL DATA



ORDERING INFORMATION



BRANNON HYDRAULICS, INC. P.O. BOX 602 RACINE, WI. 53401-0602
PHONE (262) 637-8502 FAX (262) 637-8582